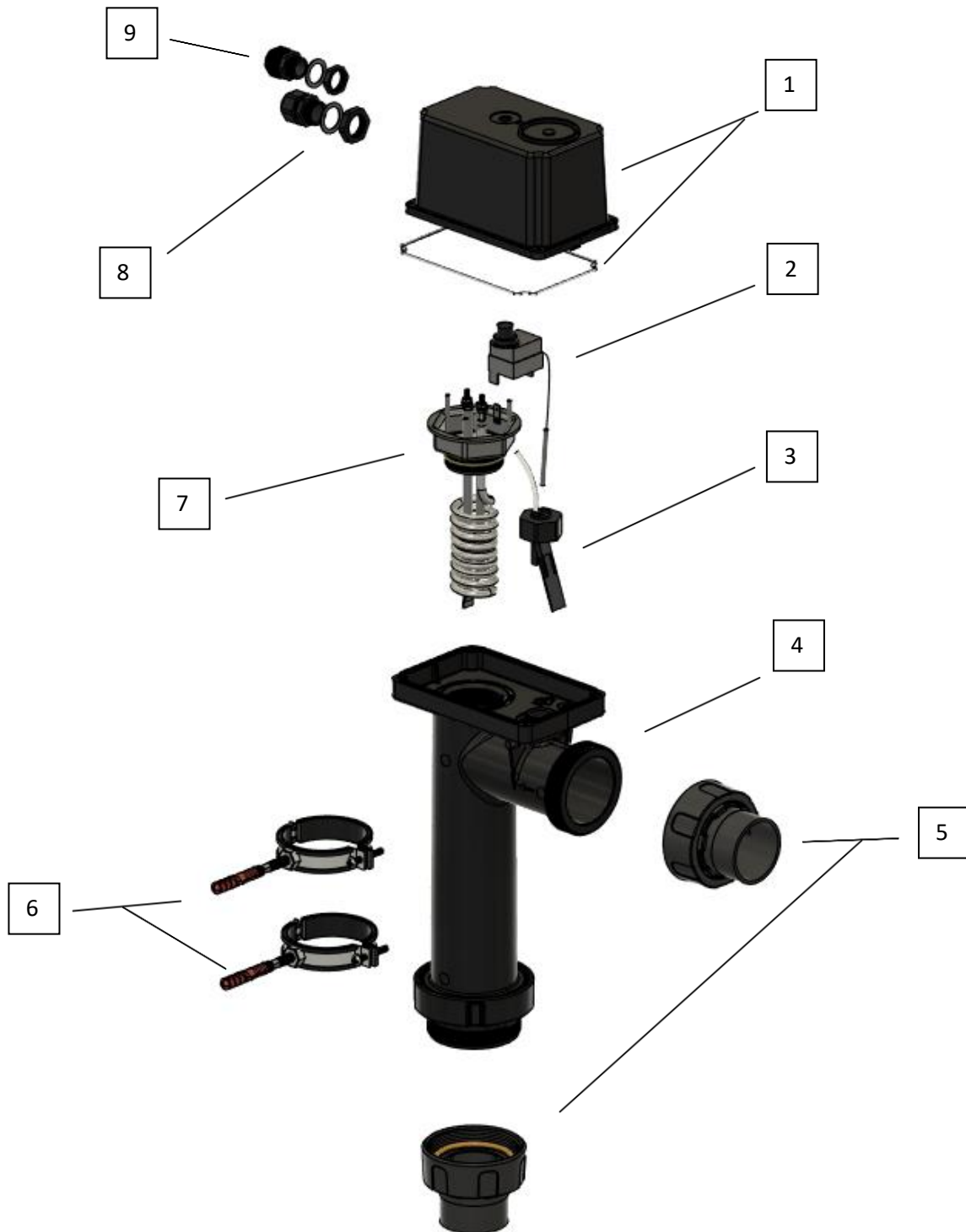


Electric heater D-EWT MONO 1.5 to 5 kW plastic/ incoloy or titanium



Spare parts

| no. Item | no. drawing | material | description of spare part |
|----------|-------------|--------------|---------------------------------|
| 16 01 30 | 1 | PP 30% FG.FR | Electric housing |
| 16 01 01 | 2 | various | safety thermostat 50°C |
| 11 35 20 | 3 | various | Flow switch R1P |
| 16 01 19 | 4 | PP 30% FG.FR | Housing 1,5-5kW |
| 16 01 18 | 5 | ABS | gluing socket D.50 |
| 16 01 23 | 6 | various | Clamp 66-72 mm(single) |
| 16 01 31 | 7 | Incoloy | heating element 1,5 kW 1x 230 V |
| 16 01 32 | 7 | incoloy | heating element 2 kW 1x 230 V |
| 16 01 33 | 7 | incoloy | heating element 3 kW 1x 230 V |
| 16 01 34 | 7 | incoloy | heating element 5 kW 1x 230 V |
| 16 01 35 | 8 | Polyamid | cable gland PG- 13,5 |
| 16 01 36 | 9 | Polyamid | cable gland PG- 11 |